



RPK Green Trading

Energising a Greener Tomorrow, Today

PRODUCT CATALOGUE ALUMINIUM MMS

www.rpkgreentrading.com

achal@rpkgreen.com
rpkgreentrading@gmail.com



RPK GREEN TRADING

RPK Aluminium Module Mounting Structure

“THE BEST SOLAR SOLUTIONS NEEDS THE BEST MOUNTING SOLUTIONS”

CATALOGUE CONTENTS:

1. Highlights of RPK Flat Fix MMS

a) RPK Flat Fix - RCC Mounting Structure

- *Landscape Orientation Mounting*
- *Portrait Orientation Mounting*

2. Highlights of RPK Tilt Fix MMS

b) RPK Tilt Fix - Metal Sheet Mounting Structure

- *Mini Rail – Using Rivet / Adhesive / Self Tapping Screw*
- *Long Rail for Purlin Mounting*
- *Adhesive Rail / Bracket*
- ❖ *Angle Structure for Metal Shed*
 - *North-South Slope*
 - *East-West Slope*
- ❖ *Standing Seam Sheet Roof*
- ❖ *KLP Fix & KLZ Fix Sheet Roof*
- ❖ *Asbestos Roof Mounting Using J-bolt*
- ❖ *FRP Walkway & Cable Tray*

3. RPK Accessories

- *RPK Aluminium Clamps*
- *Hardware*
- *Adhesive*



RPK GREEN TRADING

RPK Aluminium Module Mounting Structure

“THE BEST SOLAR SOLUTIONS NEEDS THE BEST MOUNTING SOLUTIONS”

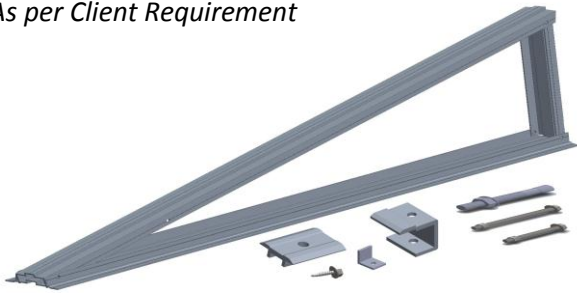
Highlights of our RPK Flat Fix MMS

- RPK Flat-Fix is an aerodynamically designed solution that can be installed at a rate of 4/5kW per man hour, making it one of the fastest, easiest and most cost-effective solutions on the market today.
- Flush, high-profile or low-profile configurations on RCC roof or pitched roof for ease of installation.
- Installer-friendly components, minimized penetration with longer attachment spans than competitive products designed with customer input.
- Self ballasting system up to 200Kmph wind zones with freedom and flexibility accommodates majority of PV modules which maintains roofing system warranty.
- Engineered Smart-Assemble, Don't Build.
- Install with 1Socket wrench, Economical aluminium components and stainless steel fasteners.
- Faster, Flexible components. The configurable design can accommodate tilt angles from 5-29 degrees based on client requirement.
- Module can be mounted on Portrait and Landscape orientation.
- RPK Green Flat fix MMS can withstand wind speed up to 200kMph. Staad Pro report available for the same.
- All hardware are of SS304/SS316 Grade.
- Anodizing up to 20 Micron available.
- As MMS is made of Virgin Aluminium Alloy 6063-T6 Grade, it can't be easily corroded.
- RPK manufacturing capacity For Flat Fix MMS -25Mw per month.
- Over 250Mw Flat Fix MMS has been supplied till date by RPK Green Trading.

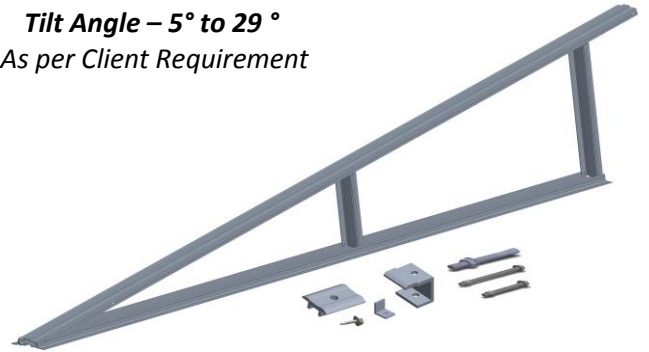
Flat Fix – RCC Mounting Structure

Landscape Orientation Mounting

*Tilt Angle – 5° to 29°
As per Client Requirement*



*Tilt Angle – 5° to 29°
As per Client Requirement*



Flat Fix -1M

Single Module Mounting Structure

Flat Fix -2M

Double Module Mounting Structure

Accessories Includes:

Aluminium Mid/End Clamps, SS304 M6x80 Hex Bolt, SS304 M6x55 Hex Bolt & M8x100 GI Anchor Bolt

Accessories Includes:

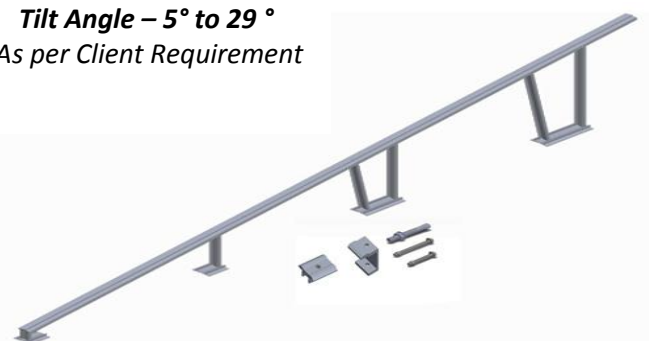
Aluminium Mid/End Clamps, SS304 M6x80 Hex Bolt, SS304 M6x55 Hex Bolt & M8x100 GI Anchor Bolt

Portrait Orientation Mounting

*Tilt Angle – 5° to 29°
As per Client Requirement*



*Tilt Angle – 5° to 29°
As per Client Requirement*



Portrait Fix -1M

Single Portrait Module Mounting Structure

Portrait Fix -2M

Double Portrait Module Mounting Structure

Accessories Includes:

Aluminium Mid/End Clamps, SS304 M6x80 Hex Bolt, SS304 M6x55 Hex Bolt & M8x100 GI Anchor Bolt

Accessories Includes:

Aluminium Mid/End Clamps, SS304 M6x80 Hex Bolt, SS304 M6x55 Hex Bolt & M8x100 GI Anchor Bolt



RPK GREEN TRADING

RPK Aluminium Module Mounting Structure

“THE BEST SOLAR SOLUTIONS NEEDS THE BEST MOUNTING SOLUTIONS”

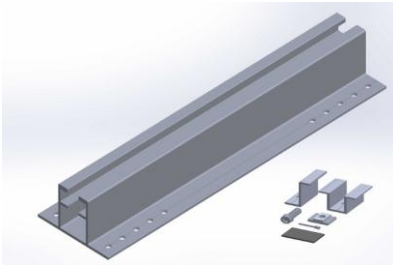
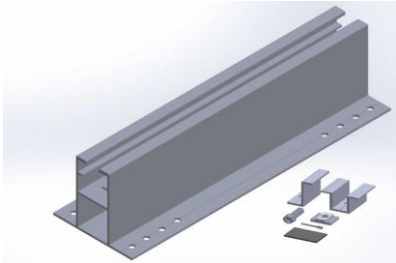
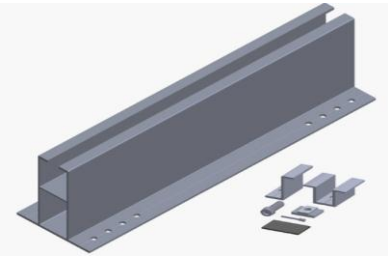
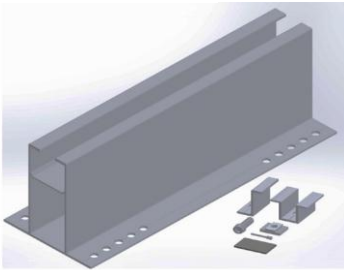
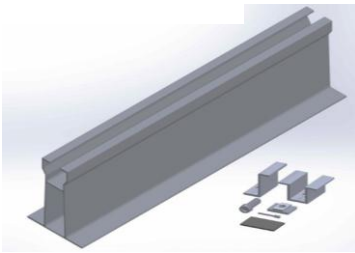
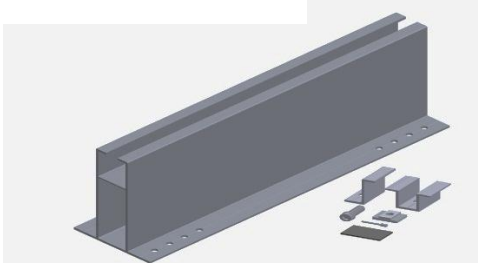
Highlights of our Tilt Fix MMS

- Design of RPK Mini Rails are done using state-of-the-art simulation software such as Solid Works and FEA to ensure wind stability for roof up to 200 kmph, using chartered engineers.
- Module can be mounted on Portrait and Landscape orientation.
- RPK provides solutions for all types of metal roof present in Indian market, covering the entire MMS rooftop spectrum.
- Height of the rail ranges from 40mm to 100mm and length as per client requirement.
- RPK long rails are specifically designed for the purpose of better load distribution by connecting rail and purlin. Using long rails reduces the number of penetrations on the sheet.
- Mounting arrangement is done by using Pop Rivet/Self Tapping Screws water proofing sealant or Lords type for non- penetrative adhesive Installation for mono/mini rails.
- High Quality and UV Weather Proofing Silicon Polymer Sealant is used to ensure that there are no water and other leakages.
- 5 Years workmanship warranty.
- Rivets from Rivit India manufactured and imported from rivet Italy. Each rivet takes a safe load of 120 Kgs and we use 4 nos per bracket.
- Wind Stability is as per latest IS 873 Part 3 Standards up to 200kmph.
- All Hardware is of SS304/SS316 Grade.
- RPK uses only Virgin Aluminium 6063 T6 Grade material.
- RPK manufacturing capacity for Tilt Fix MMS- 30Mw per month.
- Over 750Mw Tilt Fix MMS has been supplied till date by RPK Green Trading.

Tilt Fix – Metal Sheet Mounting Structure

METAL SHEET ROOF

Mini Rail – Using Rivet / Adhesive / Self Tapping Screw

<p>Height: 40mm Length: As per Client Requirement</p> 	<p>Height: 61mm Length: As per Client Requirement</p> 	<p>Height: 68mm Length: As per Client Requirement</p> 
<p>RPK Eco40 Rail</p>	<p>RPK Eco61 Rail</p>	<p>RPK Eco68 Rail</p>
<p>Accessories Includes: Aluminium Mid/End Clamps, SS304 M8 Allen Bolt, RPK Al. T-Nut, Rivet & EPDM Rubber</p>	<p>Accessories Includes: Aluminium Mid/End Clamps, SS304 M8 Allen Bolt, RPK Al. T-Nut, Rivet & EPDM Rubber</p>	<p>Accessories Includes: Aluminium Mid/End Clamps, SS304 M8 Allen Bolt, RPK Al. T-Nut, Rivet & EPDM Rubber</p>
<p>Height: 68mm Length: As per Client Requirement</p> 	<p>Height: 68mm Length: As per Client Requirement</p> 	<p>Height: 100mm Length: As per Client Requirement</p> 
<p>RPK OMR68 Rail (Optimized Mini Rail)</p>	<p>RPK MOR68 Rail (Maximum Optimized Mini Rail)</p>	<p>RPK Eco Max Rail</p>
<p>Accessories Includes: Aluminium Mid/End Clamps, SS304 M8 Allen Bolt, RPK Al. T-Nut, Rivet & EPDM Rubber</p>	<p>Accessories Includes: Aluminium Mid/End Clamps, SS304 M8 Allen Bolt, RPK Al. T-Nut, Rivet & EPDM Rubber</p>	<p>Accessories Includes: Aluminium Mid/End Clamps, SS304 M8 Allen Bolt, RPK Al. T-Nut, Rivet & EPDM Rubber</p>

Long Rail for Purlin Mounting

<p>Height: 40mm Length: As per Client Requirement</p> 	<p>Height: 38.5mm Length: As per Client Requirement Module Clearance- 100mm</p> 	<p>Height: 45mm Length: As per Client Requirement Module Clearance- 105mm</p> 
<p>RPK Strut Rail</p>	<p>RPK Eco38.5 Rail</p>	<p>RPK Eco45 Rail</p>
<p>Accessories Includes: Aluminium Mid/End Clamps, SS304 M8 Allen Bolt, M8 GI Spring Nut, M6x55 Self-Tapping Screws & EPDM Rubber</p>	<p>Accessories Includes: Aluminium Mid/End Clamps, RPK L-Angle, SS304 M8 Allen Bolt, RPK Al. T-Nut, SS304 M8x20 T-Bolt, M8 Flanged Nut, M6x55 Self-Tapping Screws & EPDM Rubber</p>	<p>Accessories Includes: Aluminium Mid/End Clamps, RPK L-Angle, SS304 M8 Allen Bolt, RPK Al. T-Nut, SS304 M8x20 T-Bolt, M8 Flanged Nut, M6x55 Self-Tapping Screws & EPDM Rubber</p>
<h2><u>Adhesive Rail / Bracket</u></h2>		
<p>Height: 70mm Length: As per Client Requirement</p> 	<p>Height: 90mm Length: As per Client Requirement</p> 	<p>Height: 95mm Length: As per Client Requirement</p> 
<p>RPK Eco70 Rail (Cup Rail)</p>	<p>RPK Eco90 Rail</p>	<p>RPK Eco95 Rail</p>
<p>Accessories Includes: Aluminium Mid/End Clamps, SS304 M8 Allen Bolt, RPK E70-Nut & Lord's Adhesive Chemical</p>	<p>Accessories Includes: Aluminium Mid/End Clamps, SS304 M8 Allen Bolt, RPK E70-Nut & Lord's Adhesive Chemical</p>	<p>Accessories Includes: Aluminium Mid/End Clamps, SS304 M8 Allen Bolt, RPK E70-Nut & Lord's Adhesive Chemical</p>

METAL SHEET ROOF

Angle Structure For Metal Shed

North-South Slope

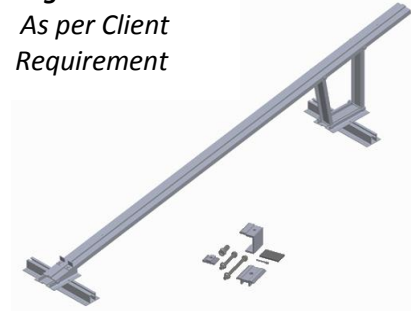
Tilt Angle – 5° to 29°
As per Client Requirement



Tilt Angle – 5° to 29°
As per Client Requirement



Tilt Angle – 5° to 29°
As per Client Requirement



Accessories Includes:

RPK Al. Eco40 Rail, RPK Al. Mid/End Clamps, SS304 M6x80 Hex Bolt, SS304 M6x55 Hex Bolt, SS304 M8x16 Allen Bolt, T-Nut, Rivet & EPDM Rubber

Accessories Includes:

RPK Al. Eco40 Rail, RPK Al. Mid/End Clamps, SS304 M6x80 Hex Bolt, SS304 M6x55 Hex Bolt, SS304 M8x16 Allen Bolt, T-Nut, Rivet & EPDM Rubber

Accessories Includes:

RPK Al. Eco40 Rail, RPK Al. Mid/End Clamps, SS304 M6x80 Hex Bolt, SS304 M6x55 Hex Bolt, SS304 M8x16 Allen Bolt, T-Nut, Rivet & EPDM Rubber

Single Module Landscape

Double Module Landscape

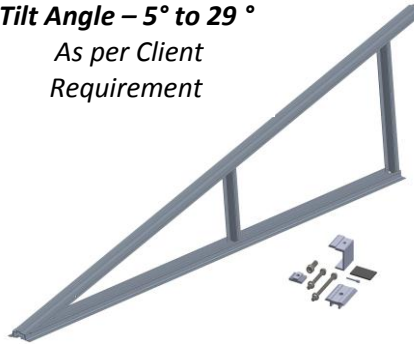
Single Module Portrait

East-West Slope

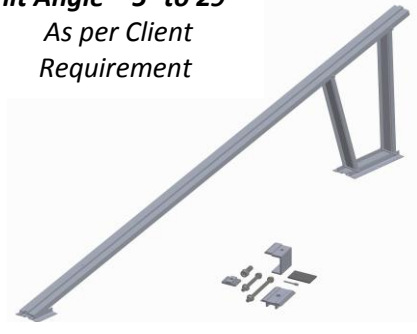
Tilt Angle – 5° to 29°
As per Client Requirement



Tilt Angle – 5° to 29°
As per Client Requirement



Tilt Angle – 5° to 29°
As per Client Requirement



Accessories Includes:

Aluminium Mid/End Clamps, SS304 M6x80 Hex Bolt, SS304 M6x55 Hex Bolt, Rivet & EPDM Rubber

Accessories Includes:

Aluminium Mid/End Clamps, SS304 M6x80 Hex Bolt, SS304 M6x55 Hex Bolt, Rivet & EPDM Rubber

Accessories Includes:

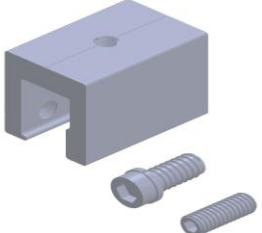
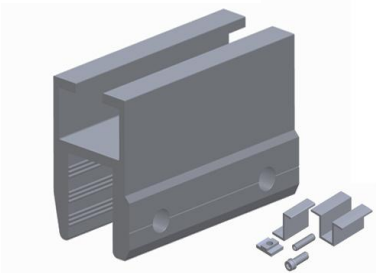
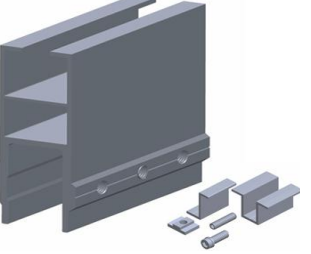
Aluminium Mid/End Clamps, SS304 M6x80 Hex Bolt, SS304 M6x55 Hex Bolt, Rivet & EPDM Rubber

Single Module Landscape

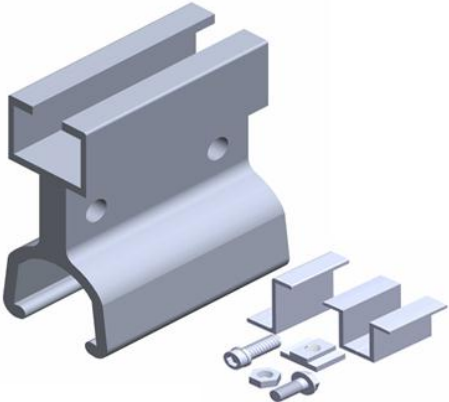
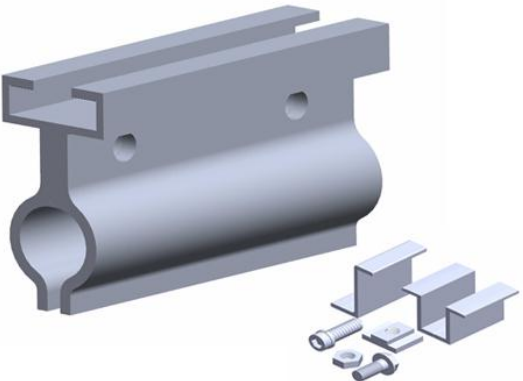
Double Module Landscape

Single Module Portrait

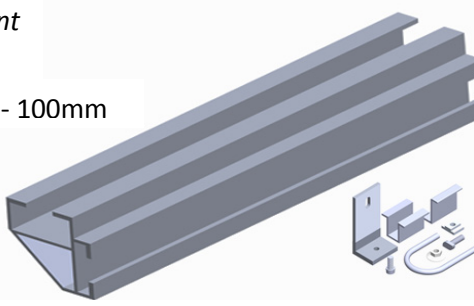
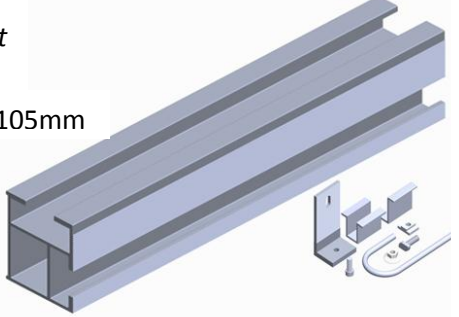
Standing Seam Sheet Roof

<p>Height: 35mm Length: As per Client Requirement</p> 	<p>Height: 55mm Length: As per Client Requirement</p> 	<p>Height: 110mm Length: As per Client Requirement</p> 
<p><u>Walkway / Cable Tray Clamp</u></p> <p>Accessories Includes: SS304 M8 Grub Screw & SS304 M8 Allen Bolt</p>	<p><u>Mounting Bracket</u></p> <p>Accessories Includes: Aluminium Mid/End Clamps, SS304 M8 Allen Bolt, SS304 M8 Grub Screw & RPK Al. T-Nut</p>	<p><u>Mounting Bracket</u></p> <p>Accessories Includes: Aluminium Mid/End Clamps, SS304 M8 Allen Bolt, SS304 M8 Grub Screw & RPK Al. T-Nut</p>
<p>RPK SSB35 Bracket</p>	<p>RPK SSB55 Bracket</p>	<p>RPK SSB110 Bracket</p>



KLP Fix & KLZ Fix Sheet Roof

	
<p>Accessories Includes: Aluminium Mid/End Clamps, SS304 M8 Allen Bolt, SS304 M8x20 Hex Bolt & RPK A. T-Nut</p>	<p>Accessories Includes: Aluminium Mid/End Clamps, SS304 M8 Allen Bolt, SS304 M8x20 Hex Bolt & RPK A. T-Nut</p>
<p>RPK Klip Lok Bracket / KLP Fix</p>	<p>RPK KAL ZIP Bracket / KLZ Fix</p>

Asbestos Roof Mounting Using J-bolt

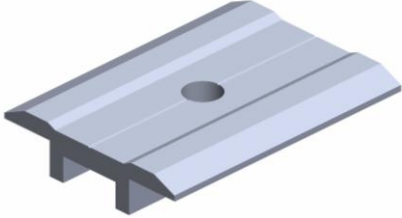
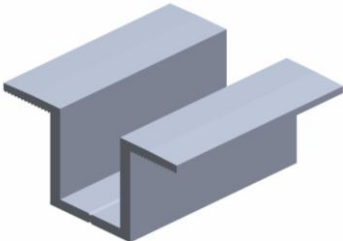
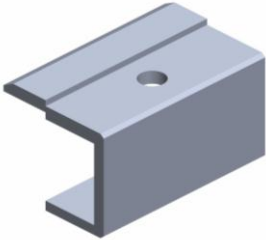


<p>Height: 38.5mm Length: As per Client Requirement Module Clearance- 100mm</p> 	<p>Height: 45mm Length: As per Client Requirement Module Clearance- 105mm</p> 
<p>Accessories Includes: Aluminium Mid/End Clamps, RPK L-Angle, SS304 M8 Allen Bolt, RPK Al. T-Nut, SS304 M8x20 T-Bolt, M8 Flanged Nut & J-Bolt</p>	<p>Accessories Includes: Aluminium Mid/End Clamps, RPK L-Angle, SS304 M8 Allen Bolt, RPK Al. T-Nut, SS304 M8x20 T-Bolt, M8 Flanged Nut & J-Bolt</p>
<p><i>RPK Eco38.5 Rail</i></p>	<p><i>RPK Eco45 Rail</i></p>

FRP Walkway & CABLE TRAY

	
<p>Cut Length - 3660mm SS Clamp for Mounting Walkway Thickness - 12 - 30mm</p>	<p>Cable Tray Thickness - 1.2 – 2 mm Length & Width As per client Specification</p>
<p><i>RPK - FRP Walkway</i></p>	<p><i>RPK – GI Cable Tray</i></p>

RPK Accessories

RPK Aluminium Clamps

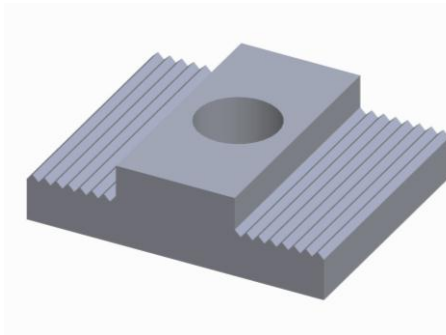
	<p align="center"><i>Middle Clamp (Butterfly Type)</i></p> <p>Material : Aluminium 6063 –T6 Cut Length : 50mm Panel to Panel Gap : 18mm</p>
	<p align="center"><i>Middle Clamp (U - Type)</i></p> <p>Material : Aluminium 6063 –T6 Cut Length : 40/50mm Panel to Panel Gap : 24mm</p>
	<p align="center"><i>End Clamp (C - Type)</i></p> <p>Material : Aluminium 6063 –T6 Cut Length : 50mm Height : As per Panel Thickness (30 to 50mm)</p>
	<p align="center"><i>End Clamp (Z - Type)</i></p> <p>Material : Aluminium 6063 –T6 Cut Length : 40/50mm Height : As per Panel Thickness (35 to 50mm)</p>
	<p align="center"><i>RPK L-Angle</i></p> <p>Material : Aluminium 6063 –T6 Height : 95mm Cut Length : As per client Requirement</p>

Hardware



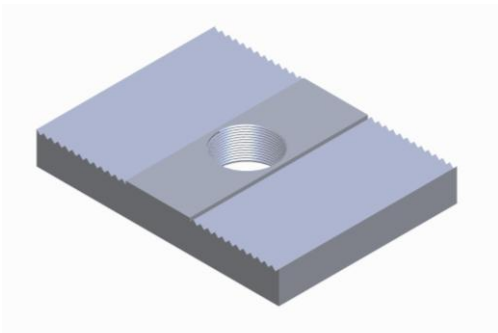
Material Grade – SS 304 & SS 316 (As per Client Requirement)

- Hex Bolt
- Allen Bolt
- Grub Screw
- Hex Plain Nut, Hex Nyloc Nut, Plain Washer & Spring Washer
- Hex Plain Nut, Plain Washer & Spring Washer
- T-Bolt
- Flanged Nut
- J-Bolt
- Self-Tapping Screw
- Aluminium Pop Rivet



RPK Al. T - Nut

Material : Aluminium 6063 –T6
Cut Length : 20mm/34mm



RPK Al. E - 70 Nut

Material : Aluminium 6063 –T6
Cut Length : 20mm

Adhesive



Lords Chemical Adhesive - 810/20 400 MI

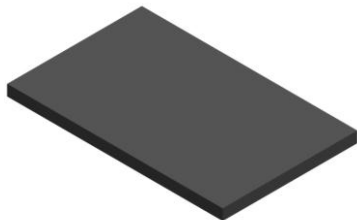


Dow Corning Sealant DC 789



Henkel MS 930 Sealant

EPDM Rubber



Material : EPDM
 Thickness – 2mm
 Length: As per client Requirement



RPK GREEN TRADING

RPK Aluminium Module Mounting Structure

Few of our installed projects:



Few of our esteemed clients



Administrative Head Office:

RPK Green Trading

Office: No.222, Sidco Industrial Estate,
9th Street (North), Ambattur,
Chennai - 600 098

M- +91 98417 25555 T- 044 - 4318 9966
E- rpkgreentrading@gmail.com | achal@rpkgreen.com



www.rpkgreen.com